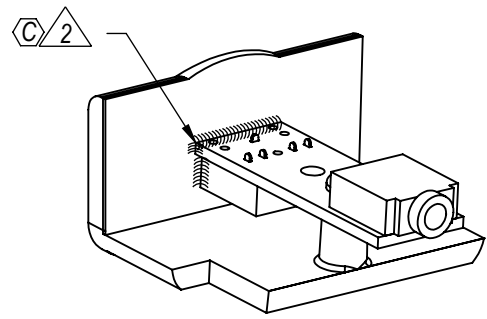
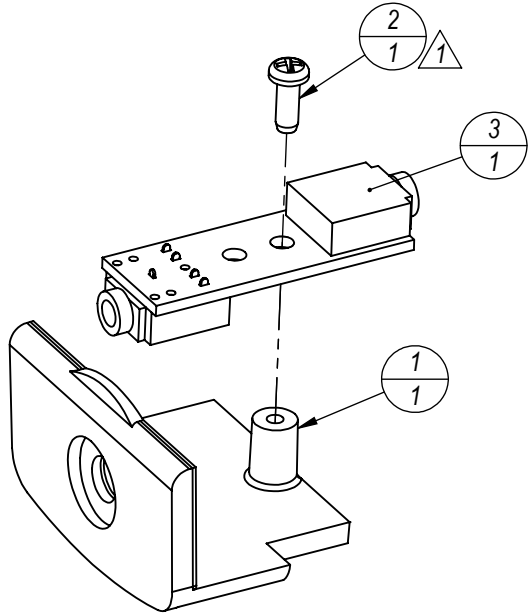


- NOTES:**
- TORQUE SCREW DOWN TO 0.7-0.9 N-m (6-8 lb-in).
 - HOT GLUE ALL AROUND AT LOCATION SHOWN.

REVISIONS				
REV.	DATE	DESCRIPTION	ECO	BY
A	03-21-07	PRODUCTION RELEASE	11559	NMB
B	05-13-09	CORRECT ORIENTATION OF CONNECTOR P/N 718-5093	12126	AK
C	10-01-10	ADD NOTE 2	13400	SJK



ITEM NO.	PART NUMBER	DESCRIPTION	QTY.
1	020-7093	HEADPHONE JACK BRACKET - BCS	1
2	110-3163	SCREW, M3x0.5x8L,PHT,PH,CS,ZI	1
3	718-5093	ASSY, HEADPHONE BOARD, VLAD	1

DOCUMENT STATUS:

MATERIAL SEE BOM		TOLERANCES UNLESS OTHERWISE SPECIFIED X.XXX = ± .010" (0.25MM) ANGLES = ± 2° X.XX = ± .030" (0.76MM) FRACTIONS = ± 1/32 X.X = ± .050" (1.27MM) X. = ± .125" (3.20MM)	
FINISH N/A	DRAWN KS	INITIAL	DATE
VENDOR: N/A	APPROVED	U.O.M.	INCH
P/N: N/A		SCALE: 1:1 SHEET 1 OF 1 SHEET SIZE: A	

UNISEN, INC. DBA

 14410 Myford Road
 Irvine CA 92606

STARTRAC PART NO
718-5098

REV **C**

TITLE
ASSY, HEADPHONE JACK, BCS

NOTICE OF PROPRIETARY INFORMATION
 THIS DOCUMENT SHALL NOT BE REPRODUCED NOR
 SHALL THE INFORMATION CONTAINED HEREIN BE
 USED BY OR DISCLOSED TO OTHER EXCEPT AS
 EXPRESSLY AUTHORIZED BY UNISEN